

ELDT: Theory Final Exam Answer Key

Name: _____

Class B, Passenger & School Bus

Date: _____

1. **FALSE** From the outside of the bus, check the operating condition of the dash mounted turn signal indicator lights, high beam indicator light, eight-light indicator system, instrument panel lights and step well lights. **CDL 10.1.2**
2. **TRUE** Proper adjustment and use of all mirrors is vital to the safe operation of the school bus in order to observe the danger zone around the bus and look for students, traffic and other objects in the area. **CDL SB 1.2**
3. **FALSE** School buses are allowed to stop in the intersection to load/unload students in order to control traffic in all directions. **SBM 5.6**
4. **TRUE** When parking, it is best practice to park so you can pull forward when leaving. **SBM 1.4**
5. **TRUE** A school bus driver must provide a safe and positive environment on the school bus. **SBM 2.6**
6. **FALSE** Students can be evicted from the bus along the route for a serious breach of discipline. **SBM 5.6**
7. **FALSE** The use of the engine brake retarder is just as effective on dry, wet, icy or snow covered roads. **CDL 2.3.4**
8. **TRUE** Drivers of school buses and commercial vehicles are subject to roadside/destination inspections. **SBM 8**
9. **FALSE** When you approach another school bus from either direction, and that bus is stopped to load or unload passengers, you should activate the amber portion of your eight-light system, stop and open the service door slightly, to activate the red lights. **SBM 5.12**
10. **TRUE** Rust trails and shiny metal around the edge of the wheel rim bolt or nut is a good indicator of looseness. **CDL 10.2.4**
11. **TRUE** Roundabouts are designed to allow low speed entry and low speed circulating traffic with yield control at all entries. Prior to entering the roundabout you are required to yield to traffic on your left. **SBM 1.2**
12. **FALSE** During the pre-trip inspection the school bus stop-arm fully extends, however, the overhead red lights do not work. You may drive the bus provided the malfunction is written on the pre-trip? **CDL PART B**
13. **TRUE** The school bus is an extension of the classroom. **SBM 2.2**
14. **TRUE** The trailer ball mount must be removed when the school bus is not towing a trailer. **SBM 7.5**
15. **TRUE** All drivers must be trained in how to prevent or respond to brake failures, tire blowouts, hydroplaning, and rollovers. **ELDT Curriculum B1.3.2**
16. **FALSE** Cold trailer brakes afford the best stopping ability. **SBM 7.7**
17. **FALSE** Palming the steering wheel is a preferred steering technique. **SBM 1.2**

18. **FALSE** While making a right turn, with students onboard, you run over a street sign with your bus. It is acceptable to finish your route and deal with the sign later. **SBM 3.2/5.18**
19. **TRUE** You should activate the 4-way flashers before backing the school bus up to a trailer. **SBM 7.2**
20. **TRUE** A school bus driver who is self-aware of the benefits that positive reinforcement has will be more successful in overall student management. **SBM 2.10**
21. **FALSE** All trailers are required to have service brakes. **SBM 7.2**
22. **TRUE** The recommended hand position for safely controlling the vehicle is 2 and 10, 3 and 9, or 4 and 8. **SBM 1.2**
23. **FALSE** If a wide turn is required to negotiate a corner you should encroach into another parallel/adjacent lane prior to your turn. **CDL 2.7.6**
24. **TRUE** If you drive in Minnesota, you have automatically given your consent to a test of your blood, breath or urine to determine alcohol concentration. **CDL PART A**
25. **FALSE** There is no need to walk through the bus interior after the route because the driver knows they dropped off all the students at school or their bus stops. **SBM 4.2**
26. **FALSE** Your perception/reaction time when towing a trailer is 2-3 seconds. **SBM 7.7**
27. **TRUE** Communication between the school bus driver and the students can provide a positive influence in helping shape the character of the student. **SBM 2.3**
28. **FALSE** A driver can ignore a brake warning light as long as they feel the vehicle is operating normally. **SBM 4.2/ CDL Part B**
29. **FALSE** You must make a right turn upon completing a school bus stop in the right turn lane. **SBM 5.12**
30. **TRUE** You should attempt to record all of the names of students on your bus after a crash. **SBM 3.2**
31. **TRUE** All crashes resulting in injuries must be reported to law enforcement. **SBM 3.2**
32. **FALSE** It is recommended to rev a cold engine to 2000 rpms to expedite the warm-up period. **SBM 1.1**
33. **TRUE** School bus drivers are not allowed to deviate from the student stop locations or bus stop procedures specified on the route sheet. **SBM 5.6**
34. **TRUE** The most important thing for the driver to do after a crash is to remain calm. **SBM 3.1**
35. **TRUE** A person who boards a school bus when the bus is on its route or otherwise in operation, or while it has pupils on it, and who refuses to leave the bus on demand of the bus operator can be charged with trespassing. **SBM 5.25**
36. **TRUE** No school bus shall be driven unless the driver or other designated person has inspected the vehicle to ensure it is in a safe operating condition. **SBM 4.2**
37. **FALSE** Some misconduct incidences involving student behavior can be ignored. **SBM 2.8**
38. **TRUE** Most students want consistent boundaries and rules. **SBM 2.4**
39. **TRUE** All crashes involving a school bus must be immediately reported to your dispatch, no matter how minor you think it might be. **SBM 3.2**

40. **FALSE** Pulling a trailer cannot affect the stability of a school bus **SBM 7.7**
41. **FALSE** When approaching and before passing an authorized emergency vehicle with its emergency lights activated that is parked or otherwise stopped on or next to a street or highway having two lanes in the same direction, the driver should safely move the vehicle to the lane farthest away from the emergency vehicle. If it is not possible to move over you are not required to slow down or proceed with caution. **SBM 1.5**
42. **TRUE** Solving a dispute between students on your school bus could be as simple as assigning seats to students involved. **SBM 2.7**
43. **TRUE** In the event of an emergency, activating the interior lighting, strobe lights, and 4-way flashers will increase your visibility. **SBM 3.2**
44. **FALSE** Serious incidents of misconduct, such as weapons violations, fights or threats of violence do not have to be reported. **SBM 2.9**
45. **TRUE** The school bus engine should be off when you're installing the ball mount. **SBM 7.2**
46. **FALSE** A school bus driver is exempt from wearing a seatbelt if they have a doctor's note. **SBM 5.10**
47. **TRUE** The horn is an important safety item and must be checked daily to ensure it is working properly. **CDL 10.1.2**
48. **TRUE** When two vehicles reach an intersection at the same time, and there is no traffic control device, the driver of the vehicle on the left must yield to the vehicle on the right. **SBM 1.5**
49. **FALSE** Under jaws are utilized on every type of trailer. **SBM 7.1**
50. **TRUE** A signed copy of the current daily pre-trip inspection report must be carried in the bus. **SBM 4.2**
51. **FALSE** A pre-trip inspection is only required if you have time to complete it. **SBM 4.2**
52. **FALSE** On average less than 5,000 deaths occur annually as a result of distracted driving. **CDL 2.9.1**
53. **TRUE** Trailer brakes can be applied manually. **SBM 7.7**
54. **TRUE** If you have smoke or fire on the bus, you should immediately evacuate the bus and move at least 100 feet away in a safe direction. **SBM 3.4**
55. A school bus post-crash inspection is required when:
- A vehicle is towed away from the scene due to disabling damage
 - A person receives medical attention immediately away from the scene
 - A crash resulting in a fatality
 - d. All of the above SBM 3.2**
56. When involved in a crash, the first thing you should do is:
- a. Check for injuries SBM 3.2**
 - Check under the bus for leaks
 - Count all students
 - Turn off the bus

57. The driver of any motor vehicle pulling another vehicle, or the driver of any truck or bus, when traveling upon a roadway outside of a business or residence district, shall not follow within _____ feet of another vehicle.
- 1000
 - 500 SBM 5.8 / CDL Part A**
 - 300
 - 100
58. Drivers of a passenger carrying vehicle can drive no more than _____ hours or be on duty for more than _____ hours after taking a _____ hour break.
- 10; 15; 8 MN Truck/Pass Reg Chapter 10**
 - 11; 14; 10
 - 8; 11; 10
 - 14; 16; 10
59. Which of the following is **not** a part of passing safely?
- Only pass if it is absolutely necessary
 - Make sure there is a safe distance between your vehicle and oncoming traffic
 - Exceed the speed limit to complete the pass more quickly SBM 1.6**
 - When another vehicle is trying to pass you, stay in your own lane and do not increase speed.
60. To drive a vehicle safely, you must be able to control its speed and direction. Safe operation of a commercial vehicle requires skills in:
- Acceleration
 - Steering
 - Stopping
 - All of the above. CDL 2.2**
61. Which of the following is not a part of "Preparing for your Trip/Route"?
- Review Route Sheet and itinerary
 - Know your vehicle
 - Provide a Pre-trip briefing
 - Conduct a post-trip inspection SBM 4.1**
62. While driving you should check your mirrors every:
- 15 seconds
 - 2 seconds
 - 5 to 8 seconds SBM 1.8**
 - 10 seconds
63. When evacuating the bus students must find a safe location at least _____ away from the bus.
- 50 feet
 - 200 feet
 - 100 feet SBM 3.8**
 - 75 feet

64. What is the per se legal alcohol concentration limit for a CDL holder operating their personal passenger vehicle?
- .02
 - .04
 - .08 SBM 5.4**
 - .10
65. When involved in a crash you should obtain what information:
- Other drivers name, address or email address, & phone number
 - Other vehicle's license plate number
 - Names of students on your bus
 - Insurance information from the other driver
 - All the above SBM 3.2**
66. Following a conviction of a DUI or an Implied Consent Revocation your CDL will be disqualified for _____ and your school bus endorsement will be cancelled for _____.
- 1 yr.; 5 yrs. SBM 5.3 / CDL Part A**
 - 1 yr.; 1yr.
 - 2 yrs.; 5 yrs.;
 - 1 yr.; lifetime
67. Which of these items, when clean, will help you be more visible to others?
- Reflectors
 - Marker Lights
 - Taillights
 - All of the above CDL 2.11.4**
68. What types of trailers may receive permanent registration?
- Trailers registered at a gross weight of 3,000 lbs. or less. SBM 7.4**
 - Trailers registered at a gross weight of 6,000 lbs or less.
 - Any sized trailer regardless of weight.
 - None of the above
69. Which one of these would help you make a safe turn?
- Signal at least 100 feet prior to the turn
 - Signal continuously
 - Cancel your signal upon completion of the turn
 - All of the above. SBM 1.2/ CDL 2.5.1**
70. When involved in a crash, you should only discuss the details of the incident with:
- Your Supervisor
 - Law Enforcement
 - The other driver
 - a and b only SBM 3.2**
 - All of the above

71. What is the minimum class license and endorsements required to operate a 22 passenger school bus with a gross vehicle weight rating of 14,500 lbs.?
- a. Class D license
 - b. Class C license with passenger and school bus endorsements** **SBM 5.2 / CDL Part A**
 - c. Class B license with passenger and school bus endorsements
 - d. Class A license with passenger and school bus endorsements
72. A post-trip inspection of the school bus ensures:
- a. Students are not left on the bus.
 - b. Personal or suspicious items have not been left on the bus.
 - c. The bus is still in safe operating condition.
 - d. All of the above.** **SBM 4.2 / CDL SB2.2**
73. A school bus driver must report/disclose what information to their employer:
- a. A conviction of a moving violation certified to your driving record
 - b. All parking tickets
 - c. Driver license status changes including suspension, revocation, cancelation or disqualification.
 - d. Both a and c** **SBM 5.3**
74. You can identify the type of ball you need to use for the trailer by:
- a. The ball size stamped on the trailer tongue.** **SBM 7.2**
 - b. The ball hitch.
 - c. Sidewall tires.
 - d. None of the above.
75. When may a school bus pull a trailer?
- a. From sunrise to sunset
 - b. When not hauling students
 - c. Only when traveling to or from a curricular or extracurricular event** **SBM 7.5**
 - d. While on route and/or school related activities
76. Which of the following apply when checking the electric emergency breakaway brakes – check all that apply?
- a. Disconnect the trailer wiring harness**
 - b. Pull the breakaway actuator pin with the trailer wiring harness connected.
 - c. Set the school bus parking brake.**
 - d. Check your exterior rear view mirrors before moving forward.** **SBM 7.2**
77. A CDL holder convicted for a 2nd hands-free or texting violation while operating a CMV within 3 years will be disqualified for _____.
- a. 30 days
 - b. 60 days** **SBM 5.23 / CDL Part A**
 - c. 90 days
 - d. 1 year

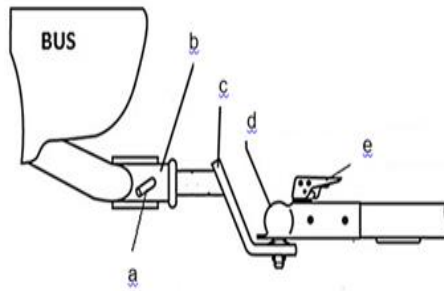
78. When preparing to make a turn is it a good practice to?
- Check traffic in all directions
 - Move your head and body (rock & roll) to view around blind spots.
 - Give the proper turn signal
 - Check mirrors
 - Reduce speed (manual transmission, downshift to proper gear for turn).
 - All of the above** **SBM 1.2**
79. When warming electric trailer brakes, you should not apply more than:
- 48% of the maximum electrical input from the override switch.
 - 75% of the maximum electrical input from the override switch.
 - As little as possible.
 - 50% of the maximum electrical input from the override switch.** **SBM 7.7**
80. Which one of these will contribute to a slippery road:
- Shaded Areas
 - Bridges
 - Melting Ice
 - Black Ice
 - All can contribute to slippery roads** **CDL 2.6.2**
81. What is the allowable amount of alcohol a driver can have in their system while operating a school bus or commercial vehicle?
- Less than .02 ac
 - Less than .04 ac
 - Less than .08 ac
 - Zero tolerance** **SBM 5.4**
82. A CDL driver is required to submit to a post-crash drug and alcohol test if the crash results in (choose all that apply):
- A vehicle is towed away from the scene and you are not cited for a moving violation.
 - A person receives medical attention immediately away from the scene and you are not cited.
 - A vehicle is towed away from the scene and you are cited for a moving violation contributing to the crash.**
 - A person receives medical attention immediately away from the scene and you are cited for a moving violations contributing to the crash.** **SBM 3.2**
83. Which one of these is not a part of the backing procedure?
- Start in proper position
 - Backing while children are outside of the bus.** **SBM 1.4**
 - Open the driver side window
 - Use mirrors on both sides
 - Only back up as far as necessary

84. Which of the following is **not** a part of the procedure when checking the hydraulic emergency breakaway brakes?
- The school bus engine should be turned off.
 - The parking brake should be set.
 - Disconnect the trailer wiring harness. SBM 7.2**
 - Pull firmly on the brake cable or chain to activate the emergency breakaway brakes.
85. When parking the school bus _____ turn your wheels to the left.
- Uphill with a curb SBM 1.3**
 - Uphill with no curb
 - Downhill with a curb
 - Downhill with no curb
86. Which school bus drivers are REQUIRED to have proof of being medically qualified in their possession when driving?
- All CDL drivers
 - All school bus drivers
 - All non-CDL school bus drivers except Type III school employees not hired solely to drive SBM 5.3**
 - All of the above
87. The on-route inspection includes:
- Walking through the bus
 - Checking under the hood
 - Remaining aware of unusual noises or handling of the vehicle SBM 4.2 /CDL Sec 2**
 - Reviewing the route sheet
88. Drivers of a property carrying vehicle can drive no more than _____ hours or be on duty for more than _____ hours after taking a _____ hour break.
- 10; 15; 8
 - 11; 14; 10 MN Truck/Pass Reg Chapter 10**
 - 8; 11; 10
 - 14; 16; 10
89. Who is responsible for ensuring students are safely away from the bus prior to moving the bus?
- bus driver SBM 5.12**
 - students
 - parents
 - school staff or bus aide.
90. A trailer swinging around either side of the bus could be a cause of:
- Stopping too quickly with the school bus
 - Icy roads
 - Trailers shouldn't do that.
 - Both a & b. SBM 7.7**

91. A school bus driver is exempt from using the eight-way warning lights and stop arm in which situation?
- The driver feels it is safer to conduct the stop without them
 - The parents requested the procedural change
 - The stop arm does not deploy or the lights don't work
 - It has been approved in writing from the school board*** **SBM 5.12**
92. A school bus driver can use a cell phone in which of these situations?
- To make a personal phone call if in hands free mode
 - To make a business related phone call if in hands-free mode*** **SBM 5.22**
 - To make a business related call in handheld or hands-free mode
 - For any purpose as long as it's hands-free.
93. What are the most important techniques to consider when pulling a trailer?
- Sightline, load distribution, weather, receiver size, backing.
 - Vehicle length, sightlines, turning, stopping/braking, stability, weather.*** **SBM 7.7**
 - Weather, roadway curves, tail swing.
 - None of the above.
94. When approaching a railroad crossing a school bus driver shall activate the four-way hazard warning lights at least _____ ft. from the nearest rail and stop _____ ft. from the nearest rail.
- 100; 15-50*** **SBM 5.14**
 - 50; 10-15
 - 300; 15-50
 - 150; 10-15
95. A MN annual inspection certificate is required to be displayed on a trailer when:
- The trailer's gross vehicle weight rating exceeds 10,000 lbs.
 - The gross vehicle combination weight rating exceeds 26,000 lbs.*** **SBM 7.3**
 - Only the towing vehicle requires the annual inspection decal.
 - Being towed for non-school related activities.
96. If your drive wheels begin to slip what should your first reaction be?
- Stab the brakes
 - Ease up on the throttle*** **CDL 2.6.2**
 - Take the vehicle out of gear
 - Apply the emergency brake
97. You are involved in a crash. After a self-assessment, your next responsibility is to check the wellbeing of:
- The other driver
 - Students on your bus*** **SBM 3.2**
 - Witnesses
 - No one
98. It is recommended that a driver look at least _____ seconds ahead of their vehicle:
- 12 -15 seconds*** **CDL 2.4.1**
 - 4 - 6 seconds
 - 3 seconds
 - 5 to 8 seconds

99. A school bus driver is required to activate the amber pre-warning lights at least _____ ft. prior to a school bus stop in a speed zone of 35 mph or less.
- 50
 - 100** *SBM 5.12*
 - 300
 - 500

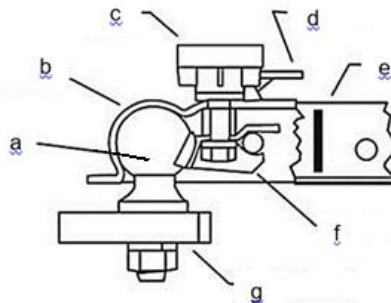
100. Using the picture below, identify the components used on a latch style trailer using the terminology list provided.



- Component**
- Hitch Pin*
 - Receiver*
 - Ball Mount*
 - Coupler*
 - Locking Lever*

- Terminology List**
- Ball Mount
 - Coupler
 - Hitch Pin
 - Locking Lever
 - Reciever

101. Using the picture below, identify the components used on a screw latch style trailer using the terminology list provided.



- Component**
- Ball*
 - Ball Socket*
 - Screw Handle*
 - Locking Ratchet*
 - Coupler*
 - Under Jaw*
 - Ball Mount*

- Terminology List**
- Ball
 - Ball Mount
 - Ball Socket
 - Coupler
 - Locking Ratchet
 - Screw Handle
 - Under Jaw